



**WHALLON**  
MACHINERY, INC.

MATERIAL HANDLING  
EQUIPMENT

**WHALLON MACHINERY, INC.**

P.O. Box 429 • 205 North Chicago Street

Royal Center, Indiana 46978

Ph: 574-643-9561 • Fax 574-643-9218

[www.whallon.com](http://www.whallon.com)



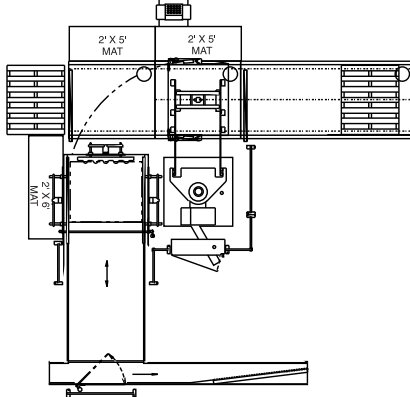
**PD90**

Magnetic & Vacuum Palletizing/Depalletizing

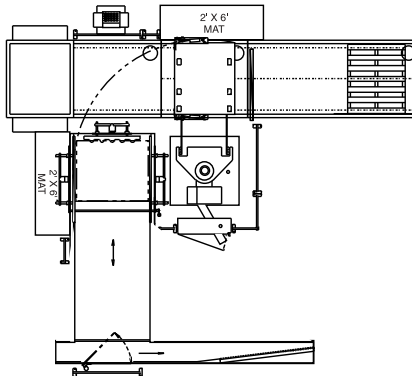
Certain safety features removed for photographic purposes

# Can Palletizer/Depalletizer

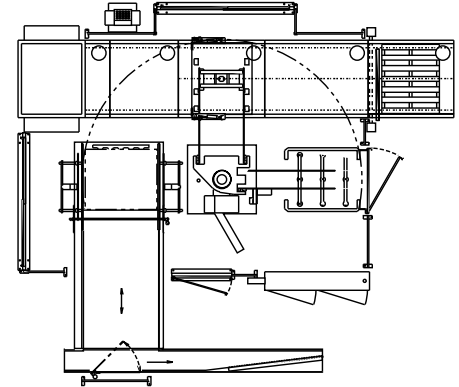
SEMI-AUTOMATIC  
PALLETIZER/DEPALLETIZER



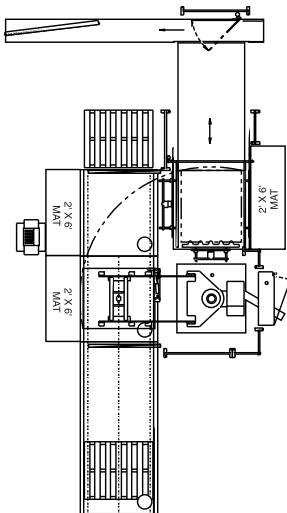
SEMI-AUTOMATIC  
PALLETIZER/DEPALLETIZER  
WITH FULLY AUTOMATIC PALLET HANDLING



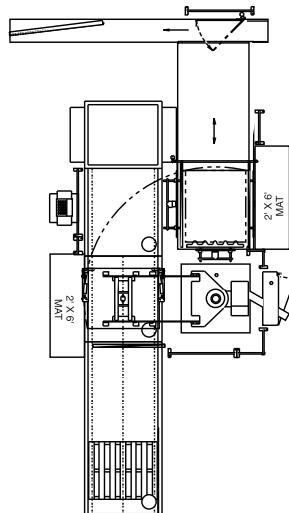
FULLY AUTOMATIC  
PALLETIZER/DEPALLETIZER



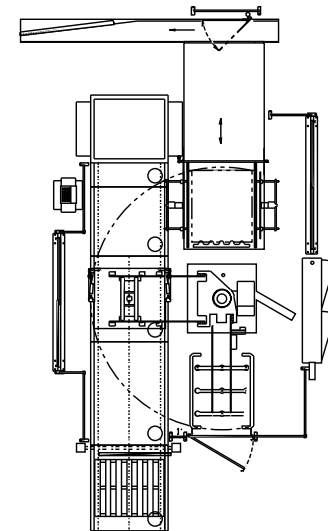
SEMI-AUTOMATIC  
PALLETIZER/DEPALLETIZER



SEMI-AUTOMATIC  
PALLETIZER/DEPALLETIZER  
WITH FULLY AUTOMATIC PALLET HANDLING



FULLY AUTOMATIC  
PALLETIZER/DEPALLETIZER



The unit is manufactured with only the highest quality components and proven, reliable controls. A machine can be purchased with standard parts, or the system can be tailor-built with specified motors, valve assemblies, sensors, and programmable logic controllers. The design of the unit allows for easy changeovers, low maintenance and long system life which equals a high quality, reliable investment at an affordable price. Our efforts to provide an affordable unit to the customer does not stop with delivery. Whallon's dedicated and experienced service staff provides assistance with installation, startup, and phone support for all existing equipment.

Whallon's can palletizer/depalletizer has been developed over more than a quarter century of service to the food industry. The advancements in the design, and the electrical, hydraulic, and pneumatic controls demonstrate Whallon's commitment and willingness to provide only the highest quality product to the customer.